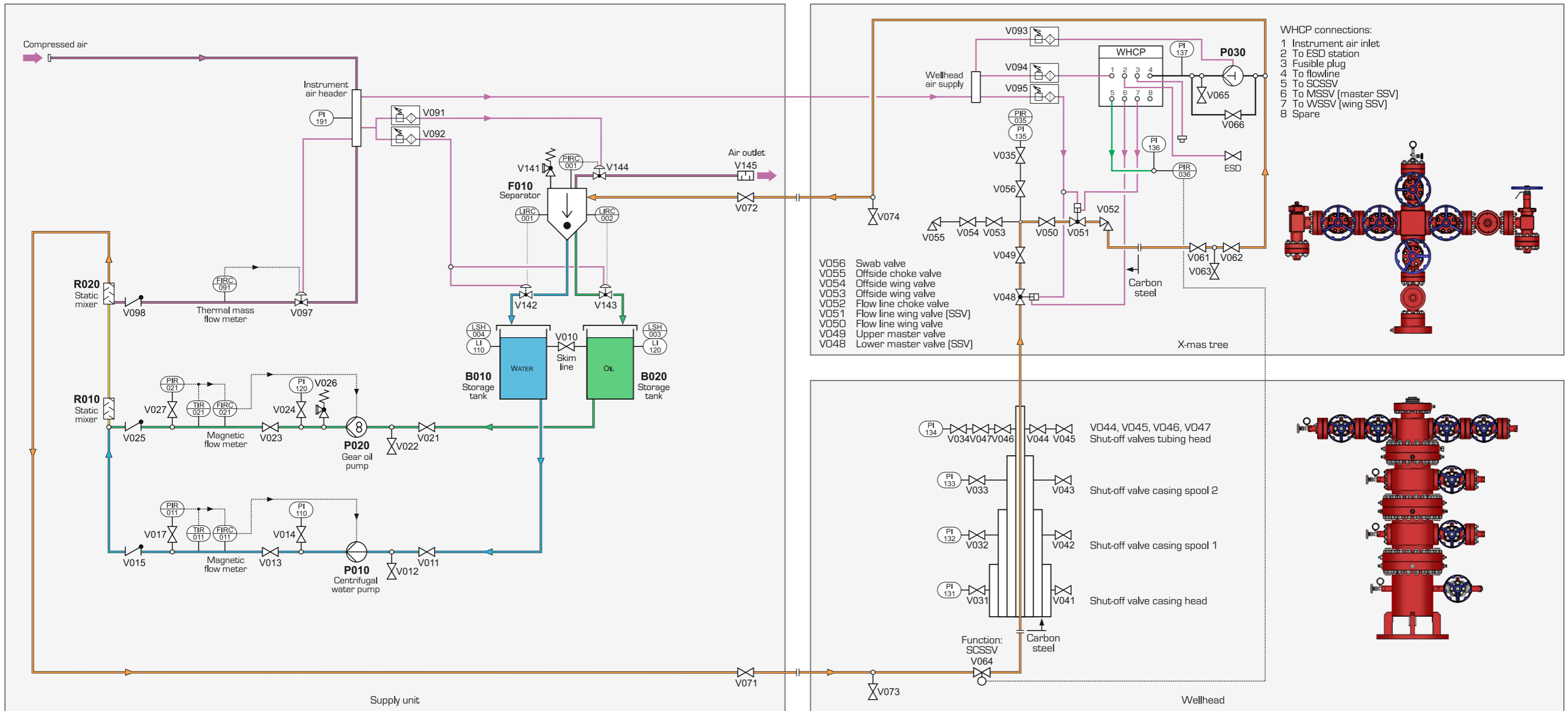


WAXTOT Wellhead and x-mas tree operation trainer



Media		Symbols																							
	Water		Emulsion		Synthetic crude oil		Measuring point with local display		Centrifugal pump		Gear pump		Piston pump		Static mixer		Valve, pneumatic drive		Non-return valve		Angle valve		Air preparation unit		Annular pipework
	Oil		Secondary lines, drain		Compressed air, air		Measuring point with remote display		Tank		Separator		Valve		Valve, electric drive		Safety valve		Silencer		Well head control panel		Fusible plug		