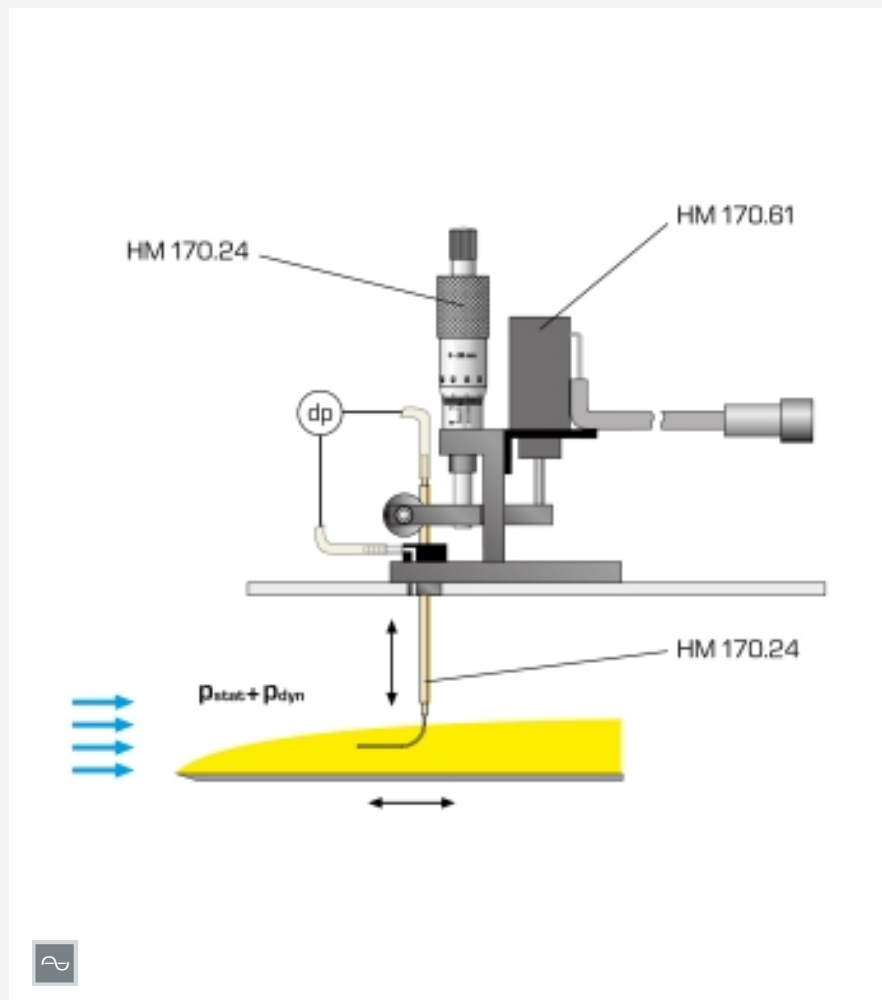


# HM 170.61

## Electronic displacement measurement



The illustration shows HM 170.61 together with the Pitot tube in HM 170.24.

### Description

#### ■ displacement sensor for PC assisted evaluation of the experimental unit boundary layer analysis HM 170.24

The electronic displacement measurement HM 170.61 is an accessory for the system for data acquisition HM 170.60. It is used together with the experimental unit boundary layer analysis HM 170.24 to electronically record the vertical position of the Pitot tube. HM 170.61 consists of a displacement sensor with holder for the mounting in HM 170.24 and a cable for the connection to HM 170.60.

### Learning objectives/experiments

- together with HM 170.24 and HM 170.60
  - ▶ study the vertical velocity profile at the measuring point
  - ▶ study the boundary layer thickness

### Specification

- [1] accessory for the PC assisted evaluation of the experimental unit boundary layer analysis HM 170.24
- [2] displacement sensor with holder for the mounting in HM 170.24
- [3] displacement sensor records the vertical position of the Pitot tube in HM 170.24
- [4] connection of the displacement sensor to the system for data acquisition HM 170.60

### Technical data

Measuring ranges

- travel: 1x 0...10mm
- resolution: 0,05mm

LxWxH: 90x80x50mm

Weight: approx. 1kg

### Scope of delivery

- 1 displacement sensor with holder

# HM 170.61

## Electronic displacement measurement

### Required accessories

HM 170	Open wind tunnel
HM 170.24	Boundary layer analysis with Pitot tube
HM 170.60	System for data acquisition